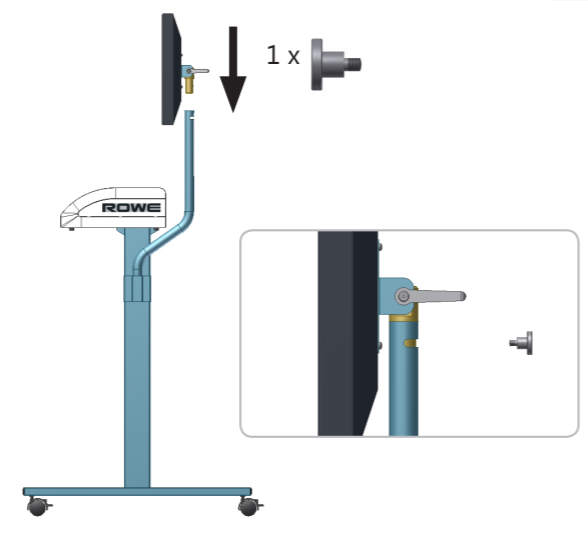
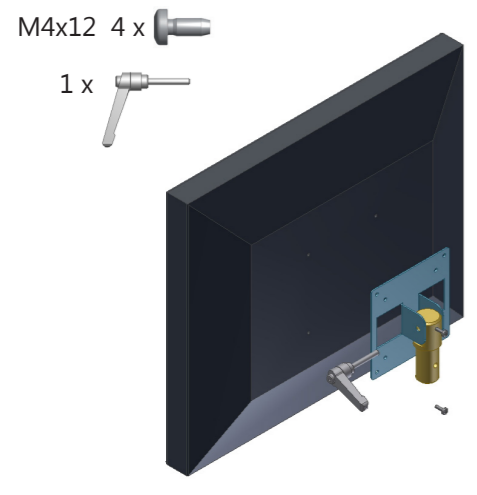


Option Touchscreen

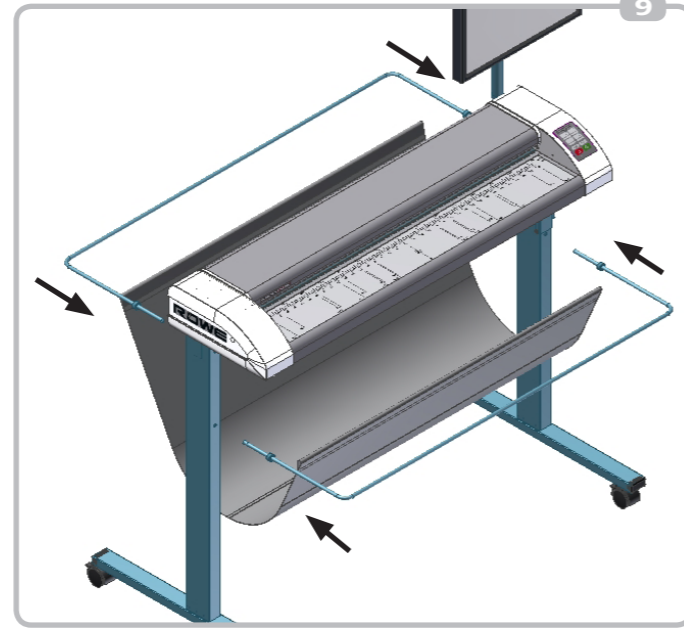
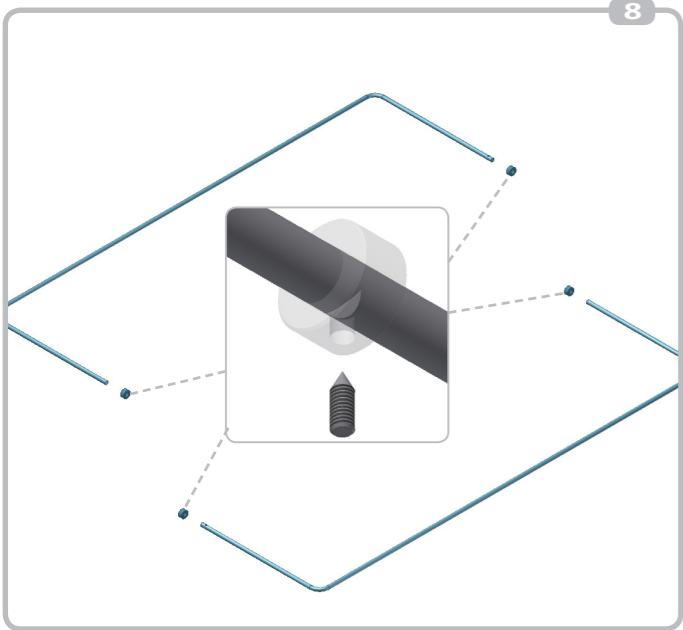
1-5

1-6

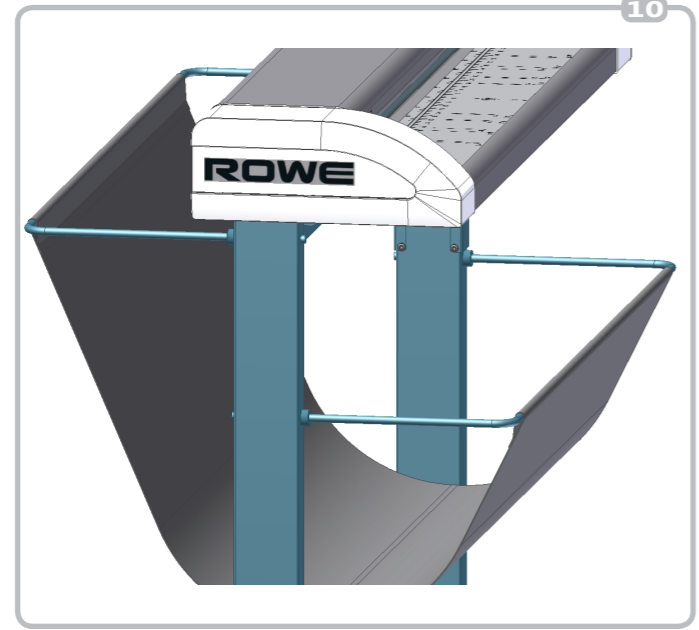


8

9



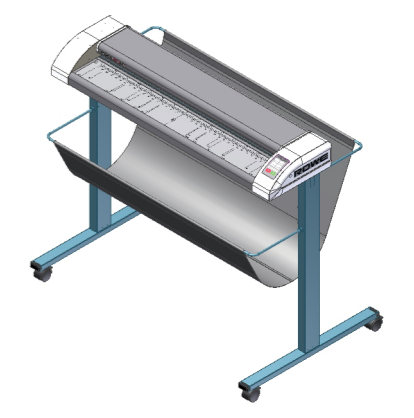
10



ROWE Scan 450i

Installation Instructions Stand ROWE Scan 450i

Aufbauanleitung Untersatz ROWE Scan 450i



Read these Installation Instructions carefully and fully complete each step before starting the next one! Two persons are required to mount the scanner onto the stand! Always insert all screws first and tighten them afterwards. Make sure that all screws are tightened firmly. Otherwise, the device may be damaged or personal injury may occur!

